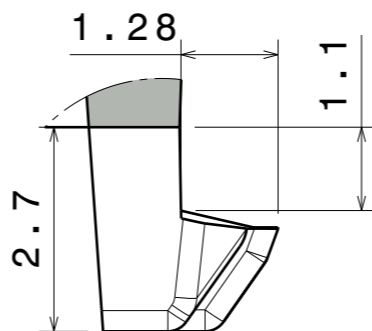
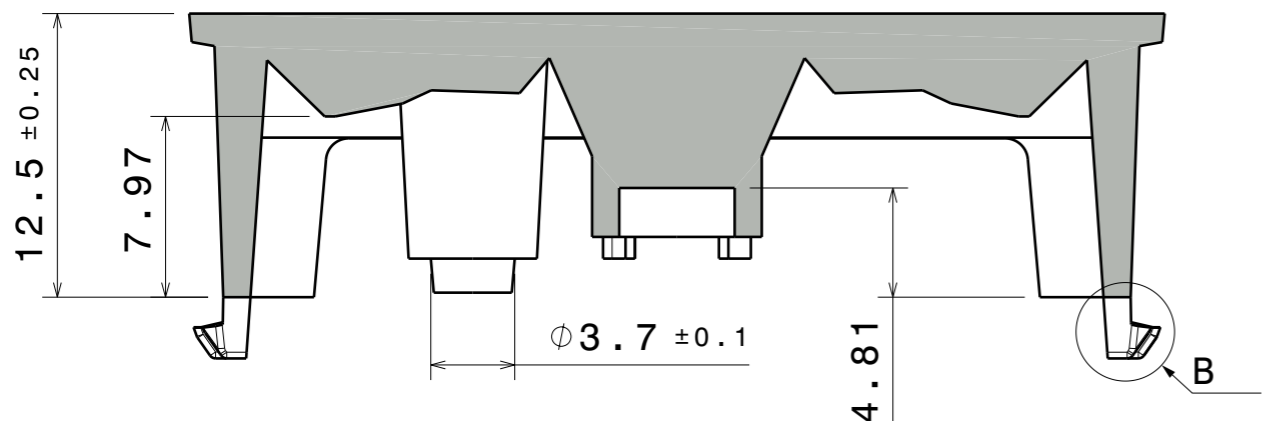
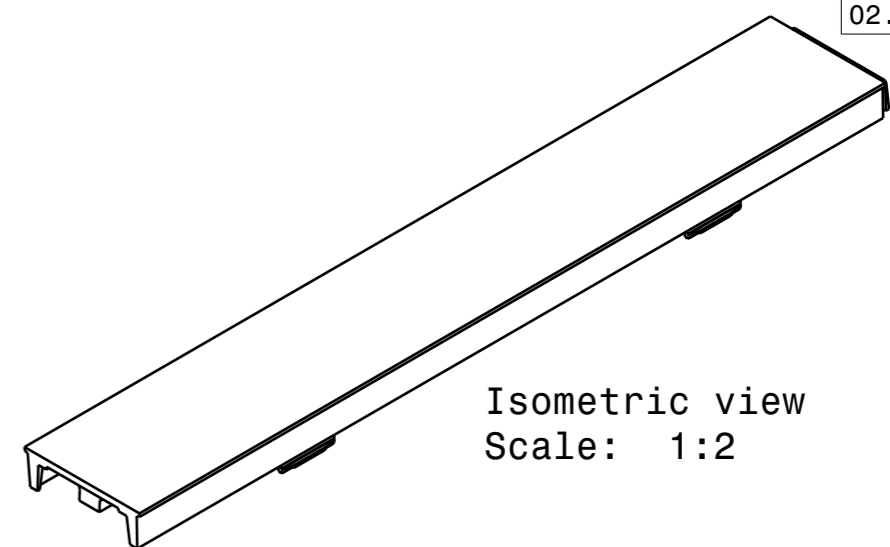


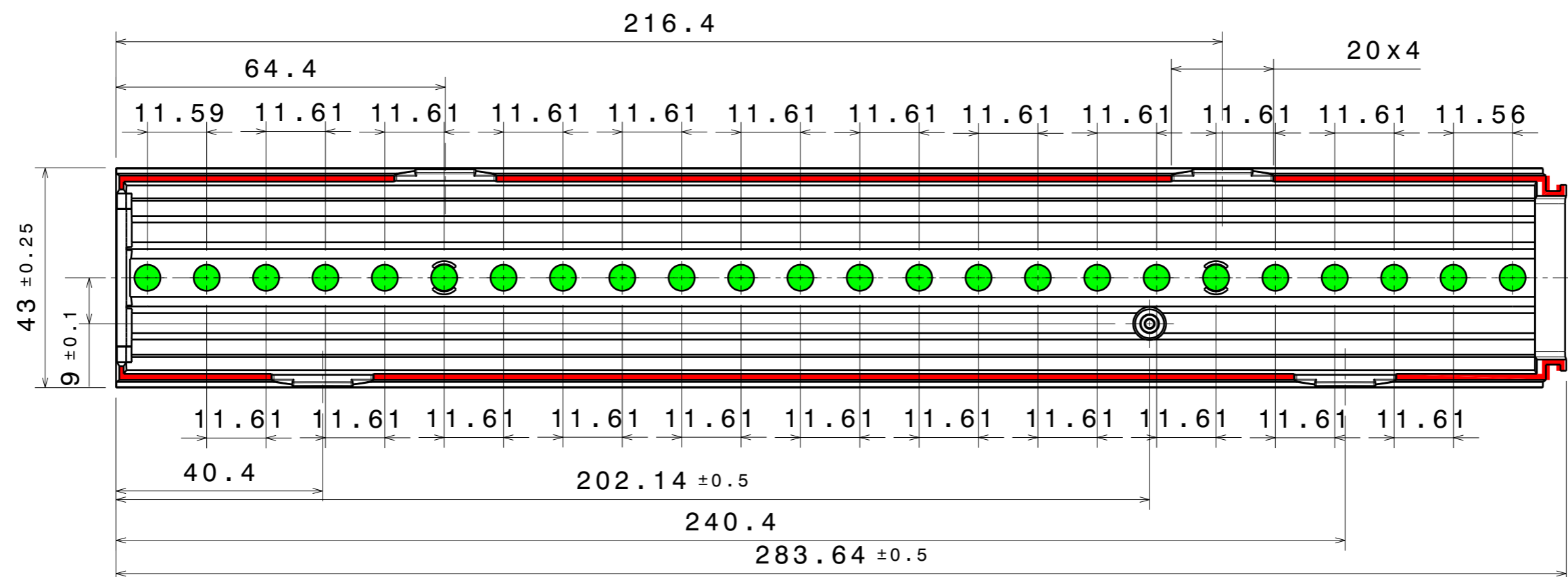
Section view A-A  
Scale: 3:1



Detail B  
Scale: 10:1



Isometric view  
Scale: 1:2



PART	TYPE	MATERIAL	COLOR / COATING
F17165_LINNEA-GC2-90	LENS	PMMA	CLEAR

<b>MECHANICAL DRAWING</b>	
PRODUCT	<b>LINNEA-G2</b>
Plastic moulding general tolerances according to DIN 16901-130 and applies if not otherwise shown in the drawing. Silicone moulding general tolerances according to ISO 3302-1 Class M3 and applies if not otherwise shown in the drawing.	FIRST ANGLE PROJECTION: 
SCALE 1:1	WEIGHT 58,877g

**LEDiL**®

This drawing is the property of LEDiL Oy. It may not be copied or otherwise distributed without prior written permission from LEDiL Oy.

A3 SHEET 1/1

**Notes**

- PCB or heatsink level.
- LED location
- Ensure LED fitting from a product specific 3D model available from [www.ledil.com](http://www.ledil.com)
- For more details about installation please see LEDiL Installation Guide on [www.ledil.com](http://www.ledil.com)

4

3

2

1

Reference PCB

C17165 LINNEA-GC2-90

Light pattern direction

Isometric view  
Scale: 3:2

PART	TYPE	MATERIAL	COLOR / COATING
F17165 LINNEA-GC2-90	LENS	PMMA	CLEAR

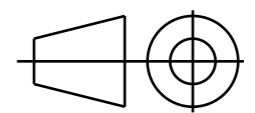
**MECHANICAL DRAWING**

PRODUCT  
**LINNEA-G2**

**LEDiL**®

Plastic moulding general tolerances according to DIN 16901-130 and applies if not otherwise shown in the drawing. Silicone moulding general tolerances according to ISO 3302-1 Class M3 and applies if not otherwise shown in the drawing.

FIRST ANGLE PROJECTION:



This drawing is the property of LEDiL Oy. It may not be copied or otherwise distributed without prior written permission from LEDiL Oy.

SCALE	1:1	WEIGHT	58,877g	A3	SHEET 1/1
-------	-----	--------	---------	----	-----------

**Notes**

- PCB or heatsink level.
- LED location
- Ensure LED fitting from a product specific 3D model available from [www.ledil.com](http://www.ledil.com)
- For more details about installation please see LEDiL Installation Guide on [www.ledil.com](http://www.ledil.com)